

# CoRE labs

## OVERHEAD TUBE SUPPORT (OTS/OTC)

halo<sup>RAD</sup>



The halo overhead tube support is a heavy duty, hospital grade, manually operated, fully counterbalanced ceiling mounted unit.

Made In The U.S.A.

The halo tube support provides flexibility to facilitate a wide range of x-ray procedures.

Fully counterbalanced, this heavy-duty system can be easily positioned at any selected point within its total range of travel.

The x-ray tube rotates a full 360-degrees about its vertical and horizontal axis with mechanical indexing at each 90-degree position.

The ergonomic operator control panel provides convenient selections to allow the tube to be moved in the longitudinal, transversal, vertical and rotational directions, and allows for table/wall bucky centering.

A single handle control allows for fast and out of the way positioning. Clean, carefully laid out cable management.

The LCD Display indicates SID to tabletop/wall bucky in inches or centimeters (calibrated at installation) and angulation of x-ray tube in degrees.

The "Intelligent Software" allows for fast and easy access to calibration and configuration.

Platform mount is standard, and a 10" orthopedic column extension is optional.

On board 24V DC Power for Collimator etc...

Durable powder coat finish.



Specification (Model No: 02-000)

Longitudinal Rail Length: Standard - 14' (4.27m)  
 \*Optional - 12', 16', 18'

Transverse Bridge Length: Standard - 120" (3.03m)

Vertical Travel: Standard - 60" (1,524 mm)

Installable on ceiling heights as low as 99"

Total weight of standard unit: 400 lbs. (181 Kg)  
 Component Weights

Transverse Bridge - 109 lbs. (49.0 Kg)

Telescope Carriage - 214 lbs. (96.3 Kg)

Long Rails (2) 14'-70 lbs. (31.6 Kg)

12'-60.2 lbs. (27.1 Kg) 16'-80.3 lbs. (36.1 Kg)

18'-90.4 lbs. (40.7 Kg)

Electrical Requirements: 115/220 VAC, 50/60 Hz,  
 5Amps

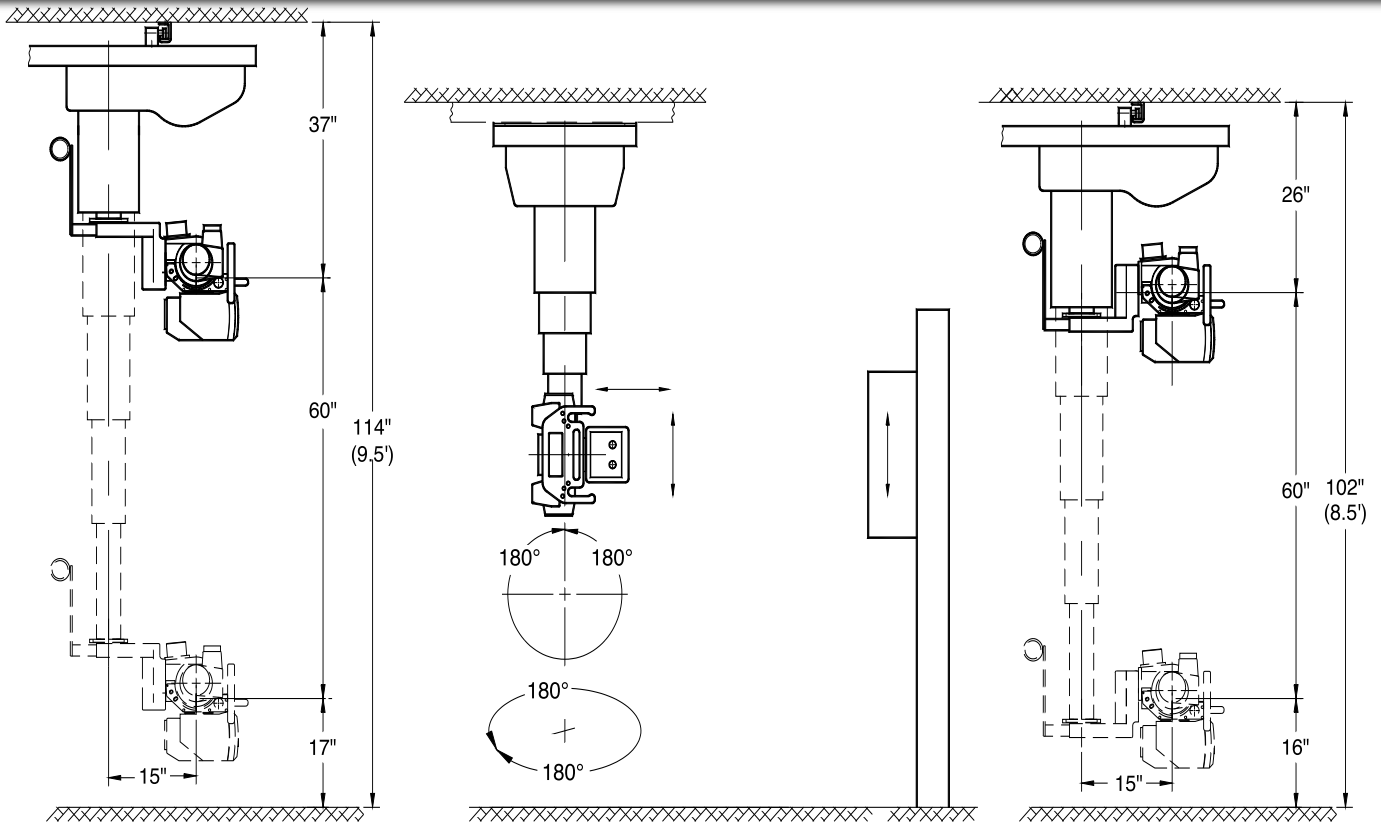


Shown with optional H.V. Cables, Collimator and X-Ray Tube

## HALO OVERHEAD TUBE SUPPORT CONFIGURATION

Shown below with 9.5' ceiling installation "gooseneck down"

Shown below with 8.5' ceiling installation "gooseneck up"



3720 S. Lipan Street Englewood, CO 80110  
 T. (303) 761-0131 F. (303) 948-8913  
 WEB: [www.corelabshome.com](http://www.corelabshome.com)

M A D E I N T H E U S A